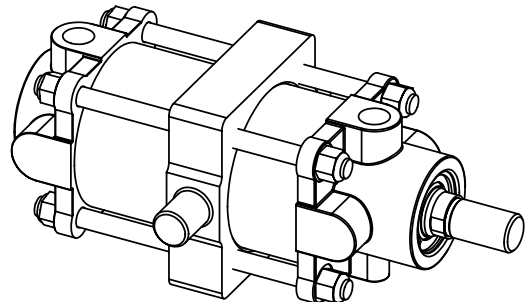
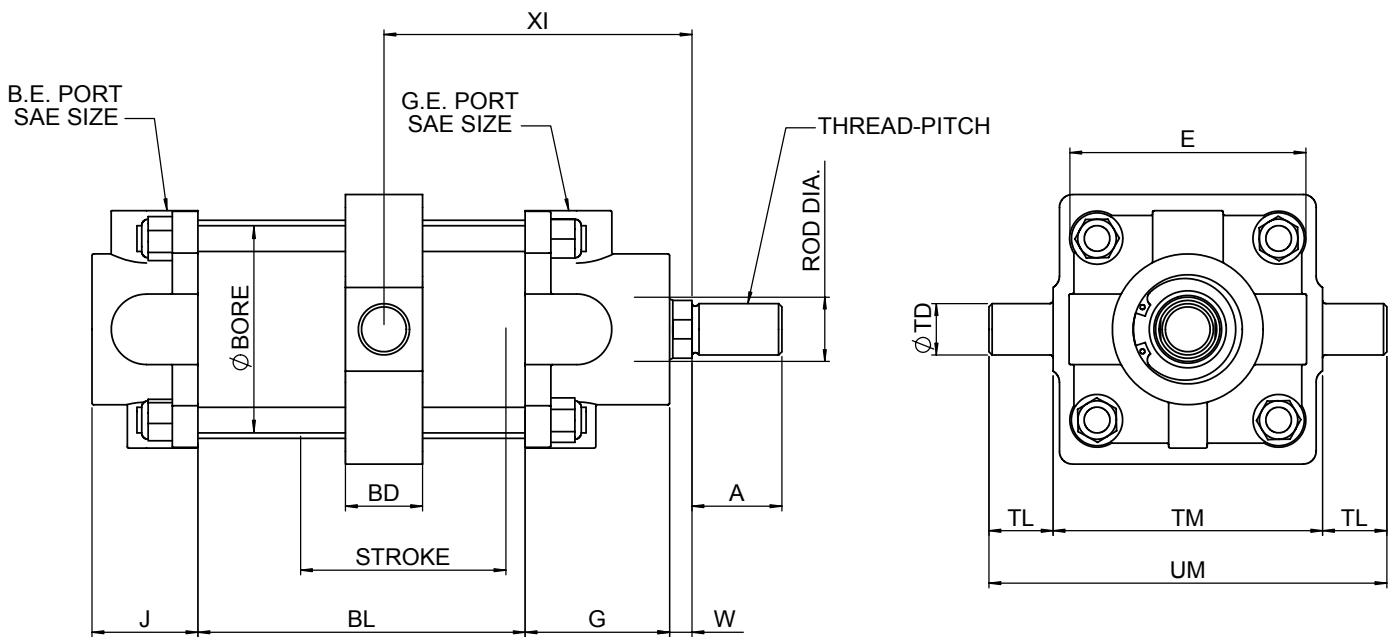


CYLINDER DIMENSIONS (INCHES)

BORE			
STROKE			
ROD DIA.			
THREAD - PITCH			
A			
W			
G			
BL			
J			
G.E. PORT SAE SIZE			
B.E. PORT SAE SIZE			
XI			
BD			
E			
TD			
TL		UM	
CUSHIONED?		TM	

Model Code	R													
SERIES	BORE	STYLE	STROKE	ROD MATERIAL	ROD SIZE	THREAD	CUSHIONS	BARREL	PORT LOC'N	PORT SIZE	OPTIONS	CUSTOM		

SEE R-SERIES CATALOG BACK COVER FOR EXPLANATION OF CODES



DRAWN	N.B.	CUSTOMER	WESTCOAST CYLINDERS INC.	
DATE	DECEMBER 09 2003	NEW WESTMINSTER, B.C. - CANADA		
SCALE		TITLE	R-SERIES RT TEMPLATE DRAWING	DRAWING No.
CHKD.	APPR.			REV.
No.	DATE	REVISION	REV. BY	REF. DWG.