

Follow Cylinders

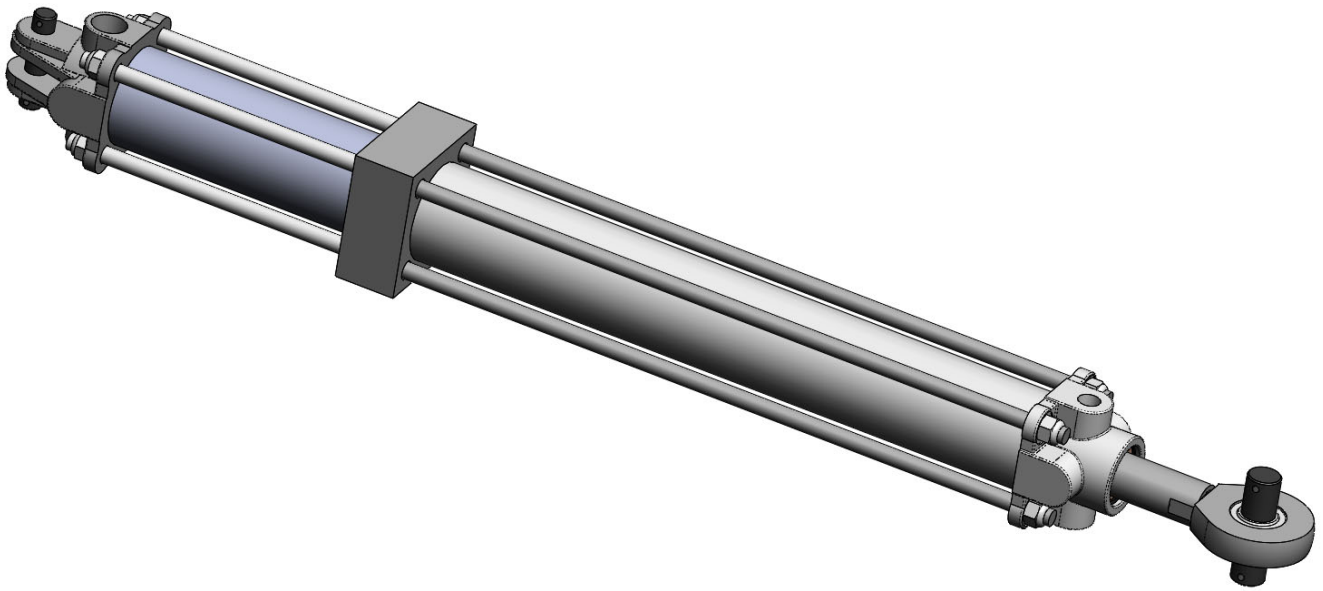
series **TD**





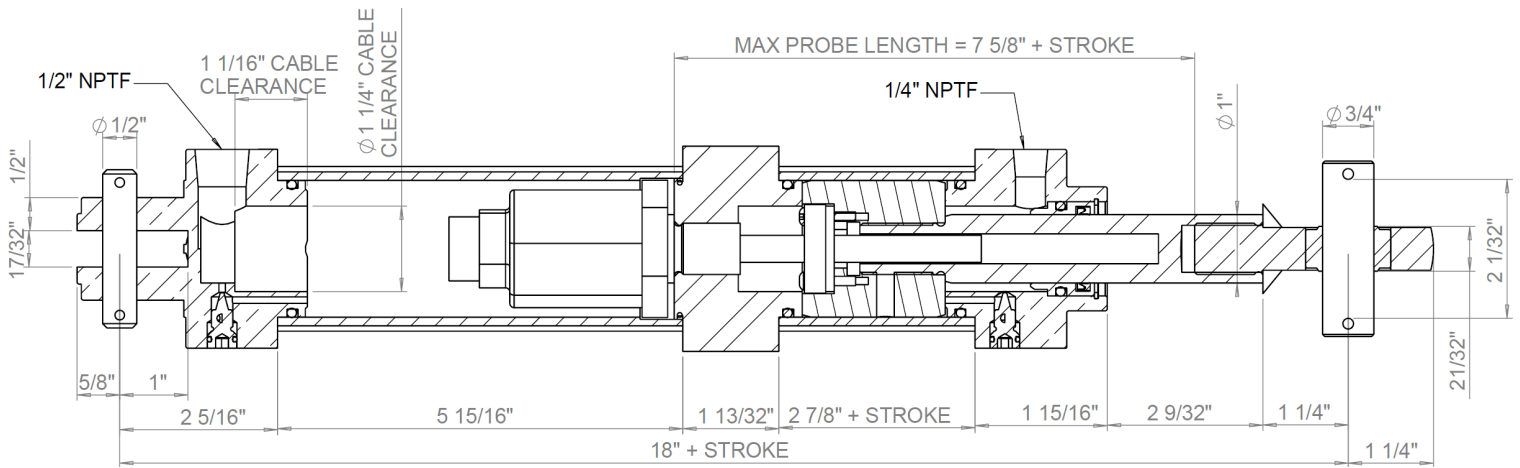
Position Sensing Follower Cylinder

Also known as a slave or dummy cylinders. Royal manufactures a standard 2 inch bore following cylinder for our customer in the forest sector. Large bore cylinders available



Position Sensing Follower Cylinder

- 2 inch bore
- Built around R-series pneumatic cylinder design
- Steel housing with extended aluminum piston
- Steel covering to protect MTS sensing probe



Westcoast Cylinders Inc.

225 Edworthy Way | New Westminster, BC V3L 5G4 | Canada
 (Ph): 604-527-1120 | (TF) 1-877-637-6925
 www.RoyalCylinders.com
 Email: Sales@royalcylinders.com