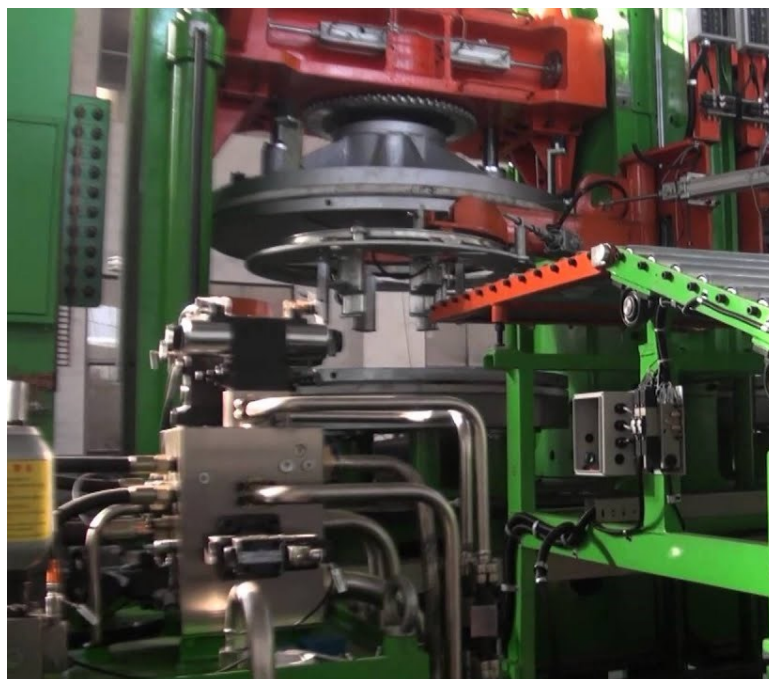
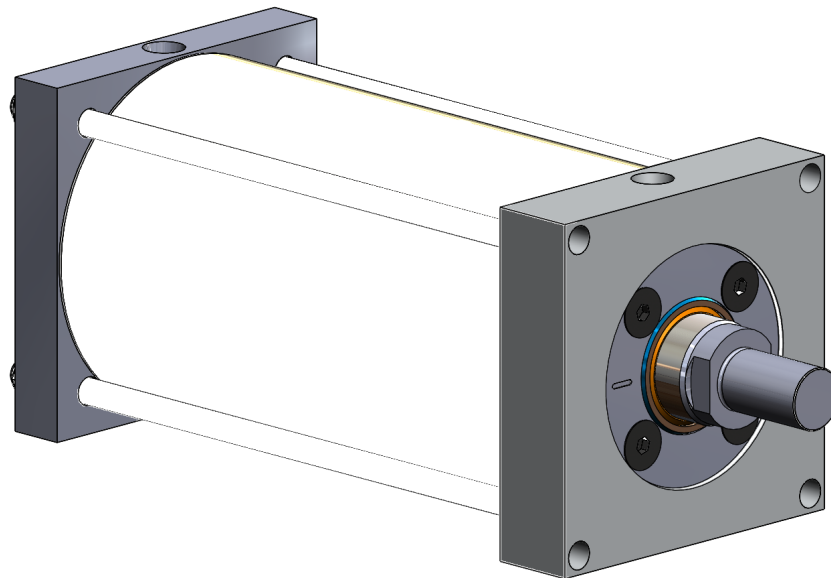


# TIRE MANUFACTURING

## Water Service Cylinder in Tire Press



## Water Service Cylinder in Tire Press

### Robust and Innovative for long life in harsh environments

Cylinders using water as a working fluid have their own unique challenges. They often operate in harsh conditions caused by contaminated water, risk corrosion due to water quality and conductivity, and face poor lubrication and concentrations of oxygen in the water.



<b>DROP-IN REPLACEMENT</b>
<p><b>Challenge</b> OEM replacement cylinders were too expensive and did not meet customers performance expectations.</p>
<p><b>Innovation</b> The cylinder was designed to drop-in with added features such as long life wear strips.</p>
<p><b>Benefit</b> Longer life for seal and running components.</p>

<b>INCREASED CORROSION RESISTANCE</b>
<p><b>Challenge</b> Finding materials that won't corrode or pit when exposed to poor water quality.</p>
<p><b>Innovation</b> Using a combination of brass and stainless steel, a cost effective solution was implemented significantly increasing service life.</p>
<p><b>Benefit</b> This greatly improved the life and total cost of ownership of the cylinder running in these adverse conditions.</p>