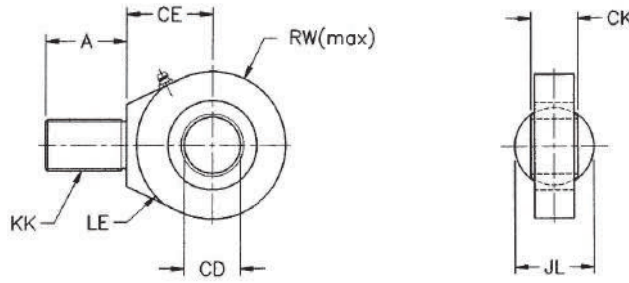




## Self Aligning Rod Eye - Male Thread



Adapts to HWM Mounting Bracket

| PART               | HRES-1  | HRES-2 | HRES-3 | HRES-4   | HRES-5   | HRES-6   |  |  |
|--------------------|---------|--------|--------|----------|----------|----------|--|--|
| A                  | 11/16   | 1      | 1 1/2  | 2        | 2 1/8    | 2 7/8    |  |  |
| CD                 | 1/2     | 3/4    | 1      | 1 3/8    | 1 3/4    | 2        |  |  |
| CE                 | 7/8     | 1 1/4  | 1 7/8  | 2 1/8    | 2 1/2    | 2 3/4    |  |  |
| CK                 | 7/16    | 21/32  | 7/8    | 1 3/16   | 1 17/32  | 1 3/4    |  |  |
| JL                 | 7/8     | 1 5/16 | 1 1/2  | 2        | 2 1/4    | 2 3/4    |  |  |
| KK                 | 7/16-20 | 3/4-16 | 1-14   | 1 1/4-12 | 1 1/2-12 | 1 7/8-12 |  |  |
| LE                 | 3/4     | 1 1/16 | 1 7/16 | 1 7/8    | 2 1/8    | 2 1/2    |  |  |
| RW                 | 7/8     | 1 1/4  | 1 3/8  | 1 13/16  | 2 3/16   | 2 5/8    |  |  |
| LOAD CAPACITY (lb) |         |        |        |          |          |          |  |  |

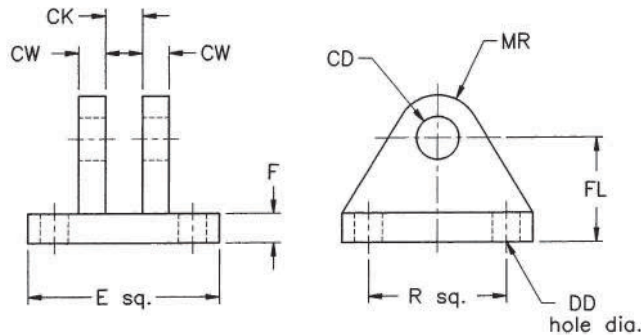
## Pin



Adapts to HWM mounting bracket. Comes complete with cotter pins

| PART | HWP15 | HWP2 | HWP32 | HWP4  | HWP5  | HWP6 |  | HWP8 |
|------|-------|------|-------|-------|-------|------|--|------|
| CD   | 1/2   | 3/4  | 1     | 1 3/8 | 1 3/4 | 2    |  | 3    |

## Mounting Bracket for Self-Aligning Rod Eye



Adapts to HW mount cylinder, HWE and HRES rod eye

| PART               | HWM15 | HWM2-D | HWM2*   | HWM32  | HWM4   | HWM5    | HWM6    | HWM7    | HWM8    |
|--------------------|-------|--------|---------|--------|--------|---------|---------|---------|---------|
| CD                 | 1/2   | 3/4    | 3/4     | 1      | 1 3/8  | 1 3/4   | 2       | 2 1/2   | 3       |
| CK                 | 15/32 | 11/16  | 11/16   | 29/32  | 1 7/32 | 1 19/32 | 1 13/16 | 2 1/4   | 2 23/32 |
| CW                 | 5/16  | 1/2    | 1/2     | 5/8    | 3/4    | 3/4     | 7/8     | 1 1/4   | 1 1/2   |
| DD                 | 13/32 | 17/32  | 1/2"-20 | 21/32  | 21/32  | 15/16   | 1 1/16  | 1 3/16  | 1 5/16  |
| E                  | 2 1/2 | 3 1/2  | 3 1/2   | 4 1/2  | 5      | 6 1/2   | 7 1/2   | 8 1/2   | 9 1/2   |
| F                  | 3/8   | 9/16   | 9/16    | 11/16  | 13/16  | 15/16   | 15/16   | 15/16   | 1       |
| FL                 | 1 1/2 | 2 1/16 | 2 1/16  | 2 7/16 | 3 1/16 | 3 15/16 | 4 3/16  | 4 11/16 | 5 1/4   |
| MR                 | 1/2   | 3/4    | 3/4     | 1      | 1 3/8  | 1 3/4   | 2       | 2 1/2   | 3       |
| R                  | 1.63  | 2.55   | 2.55    | 3.25   | 3.82   | 4.95    | 5.73    | 6.58    | 7.50    |
| LOAD CAPACITY (lb) | 3300  | 8100   | 8100    | 13500  | 22000  | 28000   | 37500   | 67500   | 97200   |