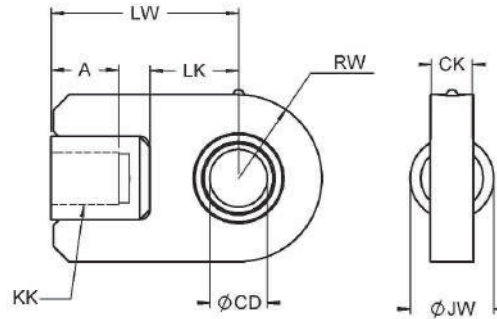




Self Aligning Rod Eye Assembly

PARTS BELOW COMPATABLE

Self Aligning Rod Eye - Female Thread



Adapts to HWM Mounting Bracket

PART	HWE15	HWE2	HWE32	HWE4	HWE5	HWE6	HWE7	HWE8
A	3/4	1 1/8	1 5/8	2	2 1/4	3	3 1/2	3 1/2
CD	1/2	3/4	1	1 3/8	1 3/4	2	2 1/2	3
CK	7/16	21/32	7/8	1 3/16	1 17/32	1 3/4	2 3/16	2 5/8
JW	3/4	1 3/8	1 3/4	2	2 1/2	3	3 1/2	4
KK	7/16-20	3/4-16	1-14	1 1/4-12	1 1/2-12	1 7/8-12	2 1/4-12	2 1/2-12
LW	1 3/4	2 3/4	3 5/8	4 1/2	5 5/8	6 3/4	7	7 1/8
RW	7/8	1 1/4	1 1/2	2	2 3/4	3	3 1/8	4
LK	5/8	1 1/4	1 5/8	2 1/8	2 5/8	3 1/2	3 1/8	3 1/4
LOAD CAPACITY (lb)	2300	5000	7400	13000	24000	50400	59000	94500

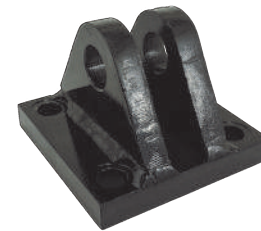
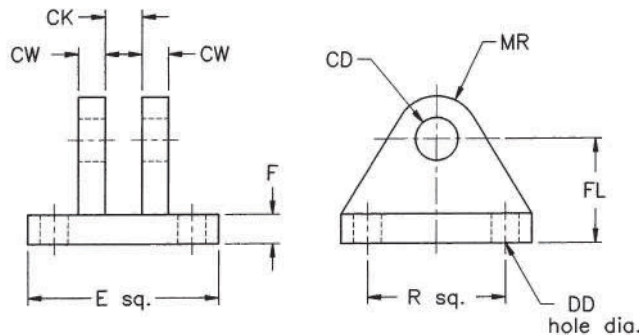
Pin



Adapts to HWM mounting bracket. Comes complete with cotter pins

PART	HWP15	HWP2	HWP32	HWP4	HWP5	HWP6	HP7	HWP8
CD	1/2	3/4	1	1 3/8	1 3/4	2	2 1/2	3

Mounting Bracket for Self-Aligning Rod Eye



Adapts to HW mount cylinder, HWE and HRES rod eye

PART	HWM15	HWM2-D	HWM2*	HWM32	HWM4	HWM5	HWM6	HWM7	HWM8
CD	1/2	3/4	3/4	1	1 3/8	1 3/4	2	2 1/2	3
CK	15/32	11/16	11/16	29/32	1 7/32	1 19/32	1 13/16	2 1/4	2 23/32
CW	5/16	1/2	1/2	5/8	3/4	3/4	7/8	1 1/4	1 1/2
DD	13/32	17/32	1/2"-20	21/32	21/32	15/16	1 1/16	1 3/16	1 5/16
E	2 1/2	3 1/2	3 1/2	4 1/2	5	6 1/2	7 1/2	8 1/2	9 1/2
F	3/8	9/16	9/16	11/16	13/16	15/16	15/16	15/16	1
FL	1 1/2	2 1/16	2 1/16	2 7/16	3 1/16	3 15/16	4 3/16	4 11/16	5 1/4
MR	1/2	3/4	3/4	1	1 3/8	1 3/4	2	2 1/2	3
R	1.63	2.55	2.55	3.25	3.82	4.95	5.73	6.58	7.50
LOAD CAPACITY (lb)	3300	8100	8100	13500	22000	28000	37500	67500	97200