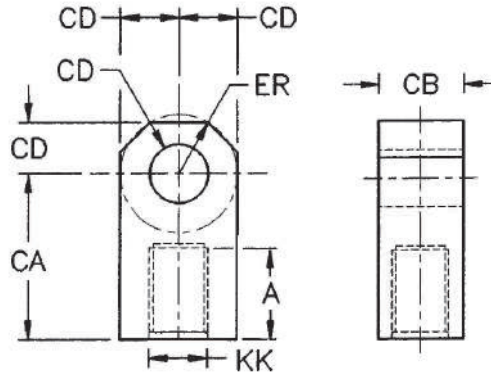




Rod Eye



Adapts to HCM clevis-type mounting bracket

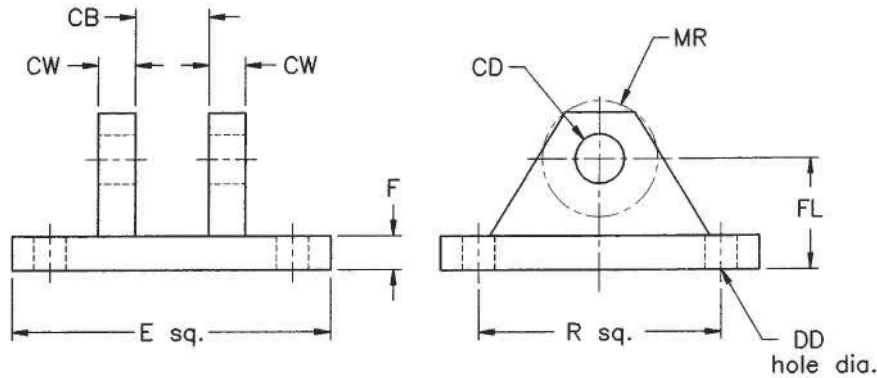
PART	HE15	HE15C	HE2	HE2C	HE32	HE4	HE5	HE5C	HE6	HE7	HE7C	HE8	HE10	HE12C	HE12D
KK	7/16-20	1/2-20	3/4-16	7/8-14	1-14	1 1/4-12	1 1/2-12	1 3/4-12	1 7/8-12	2 1/4-12	2 3/4-12	2 1/2-12	3 1/4-12	3 3/4-12	4 1/4-12
CA	1 1/2	1 1/2	2 1/16	2 3/8	2 13/16	3 7/16	4	4 3/8	5	5 13/16	6 1/2	6 1/8	7 5/8	7 5/8	8 1/8
CD	1/2	1/2	3/4	1	1	1 3/8	1 3/4	2	2	2 1/2	3	3	3 1/2	4	4
CB	3/4	3/4	1 1/4	1 1/2	1 1/2	2	2 1/2	2 1/2	2 1/2	3	3 1/2	3	4	4 1/2	5
A	3/4	3/4	1 1/8	1 1/8	1 5/8	2	2 1/4	2 1/4	3	3 1/2	3 5/8	3 1/2	4 1/2	4	4 1/2
ER	5/8	5/8	7/8	1 7/16	1 3/16	1 9/16	2	2 7/8	2 1/2	2 13/16	3 1/4	3 1/4	3 7/8	4	4
LOADCAPACITY (lb)	4100	4100	10000	16000	16000	30000	48000	55000	55000	82000	115000	99000	154000	198000	220000

Pin



PART	P3	P4	P6	HP4	P12	HP6	HP5C	HP7	HP8	HP7C	HP10	HP12
Pin	1/2	3/4	1	1 3/8	1 3/4	2	2	2 1/2	3	3	3 1/2	4

Mounting Bracket - Clevis Type



Adapts to HE mount cylinder or HE rod eye

PART	HCM15	HCM2	HCM32	HCM4	HCM5	HCM6	HCM7	HCM8	HCM10	HCM12
CB	25/32	1 9/32	1 17/32	2 1/32	2 9/16	2 9/16	3 1/16	3 1/16	4 1/16	4 9/16
CD	1/2	3/4	1	1 3/8	1 3/4	2	2 1/2	3	3 1/2	4
CW	1/2	5/8	3/4	1	1 1/4	1 1/4	1 1/2	1 1/2	2	2
DD	13/32	17/32	21/32	21/32	15/16	1 1/16	1 3/16	1 5/16	1 13/16	2 1/16
E	3 1/2	5	6 1/2	7 1/2	9 1/2	12 3/4	12 3/4	12 3/4	15 1/2	17 1/2
F	1/2	5/8	3/4	7/8	7/8	1	1	1	1 11/16	1 15/16
FL	1 1/2	1 7/8	2 1/4	3	3 5/8	4 1/4	4 1/2	6	6 11/16	7 11/16
MR	1/2	3/4	1	1 3/8	1 3/4	2	2 1/2	3	3 1/2	4
R	2.55	3.82	4.95	5.73	7.50	9.40	9.40	9.40	12.00	13.75
LOADCAPACITY (lb)	5400	10000	16000	29000	47000	54000	81000	97000	151000	172500