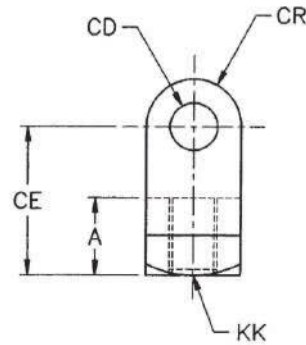
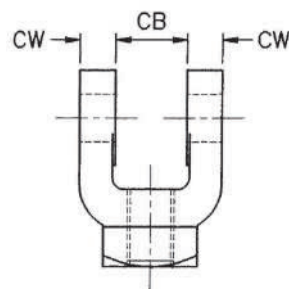




Heavy Duty Clevis Assembly

PARTS BELOW COMPATABLE

Clevis



Adapts to HM eye-type mounting bracket

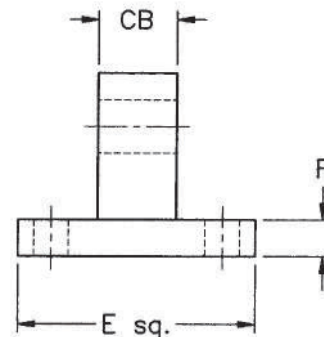
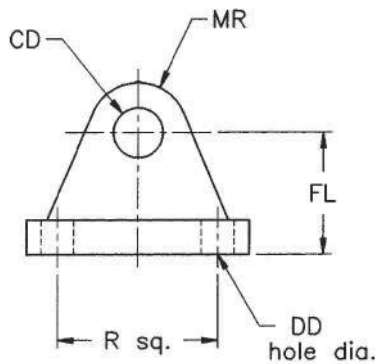
PART	HC15	HC15C	HC2	HC2C	HC32-M	HC32	HC4	HC5	HC5C	HC6	HC7	HC8	HC7C	HC10	HC10C
A	3/4	3/4	1 1/8	1 5/8	1 5/8	1 5/8	2	2 1/4	3	3	3 1/2	3 1/2	3 1/2	3 1/2	3 1/2
CB	0.765	0.765	1.265	1.515	1.515	1.515	2.031	2.531	2.531	2.531	3.032	3.032	3.032	4.032	4.032
CD	1/2	1/2	3/4	1	1	1	1 3/8	1 3/4	2	2	2 1/2	3	3	3 1/2	3 1/2
CE	1 1/2	1 1/2	2 3/8	3 1/8	2 15/16	3 1/8	4 1/8	4 1/2	5 1/2	5 1/2	6 1/2	6 3/4	6 3/4	7 3/4	7 3/4
CW	1/2	1/2	5/8	3/4	3/4	3/4	1	1 1/4	1 1/4	1 1/4	1 1/2	1 1/2	1 1/2	2	2
CR	1/2	1/2	3/4	1	1	1	1 3/8	1 3/4	2	2	2 1/2	2 3/4	2 3/4	3 1/2	3 1/2
KK	7/16-20	1/2-20	3/4-16	7/8-14	1-14	1-14	1 1/4-12	1 1/2-12	1 3/4-12	1 7/8-12	2 1/4-12	2 1/2-12	2 3/4-12	3 1/4-12	3-12
LOAD CAPACITY (lb)	6750	6750	12656.3	20250	20250	20250	37125	59062.5	67500	67500	101250	108000	108000	189000	189000

Pin



PART	P3	P4	P6	HP4	P12	HP6	HP5C	HP7	HP8	HP7C	HP10	HP12
Pin	1/2	3/4	1	1 3/8	1 3/4	2	2	2 1/2	3	3	3 1/2	4

Mounting Bracket - Eye Type



Adapts to HC mount cylinder or HC rod clevis

PART	HM15	HM25	HM32	HM4	HM5	HM6	HM7	HM8	HM10	HM12
CB	3/4	1 1/4	1 1/2	2	2 1/2	2 1/2	3	3	4	4 1/2
CD	1/2	3/4	1	1 3/8	1 3/4	2	2 1/2	3	3 1/2	4
DD	13/32	17/32	21/32	21/32	29/32	1 1/16	1 3/16	1 5/16	1 13/16	2 1/16
E	2 1/2	3 1/2	4 1/2	5	6 1/2	7 1/2	8 1/2	9 1/2	12 5/8	14 7/8
F	3/8	5/8	3/4	7/8	7/8	1	1	1	1 11/16	1 15/16
FL	1 1/8	1 7/8	2 1/4	3	3 1/8	3 1/2	4	4 1/4	5 11/16	6 7/16
MR	1/2	3/4	1	1 3/8	1 3/4	2	2 1/2	3	3 1/2	4
R	1.63	2.56	3.25	3.81	4.95	5.75	6.59	7.50	9.62	11.50
LOAD CAPACITY (lb)	8000	20000	32000	59000	94000	108000	162000	194000	302000	388000