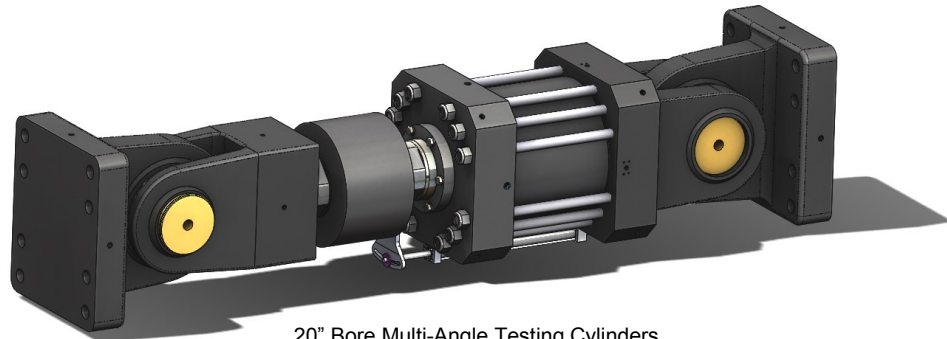


Large Bore Cylinders

Royal offers a variety of custom built large bore hydraulic cylinders for use in a range of operating pressures. The designs cover both welded and tie rod style with cast steel heads and mounting brackets as required. They can be configured in either metric or imperial formats and can be fitted with internal or external position sensing technology.



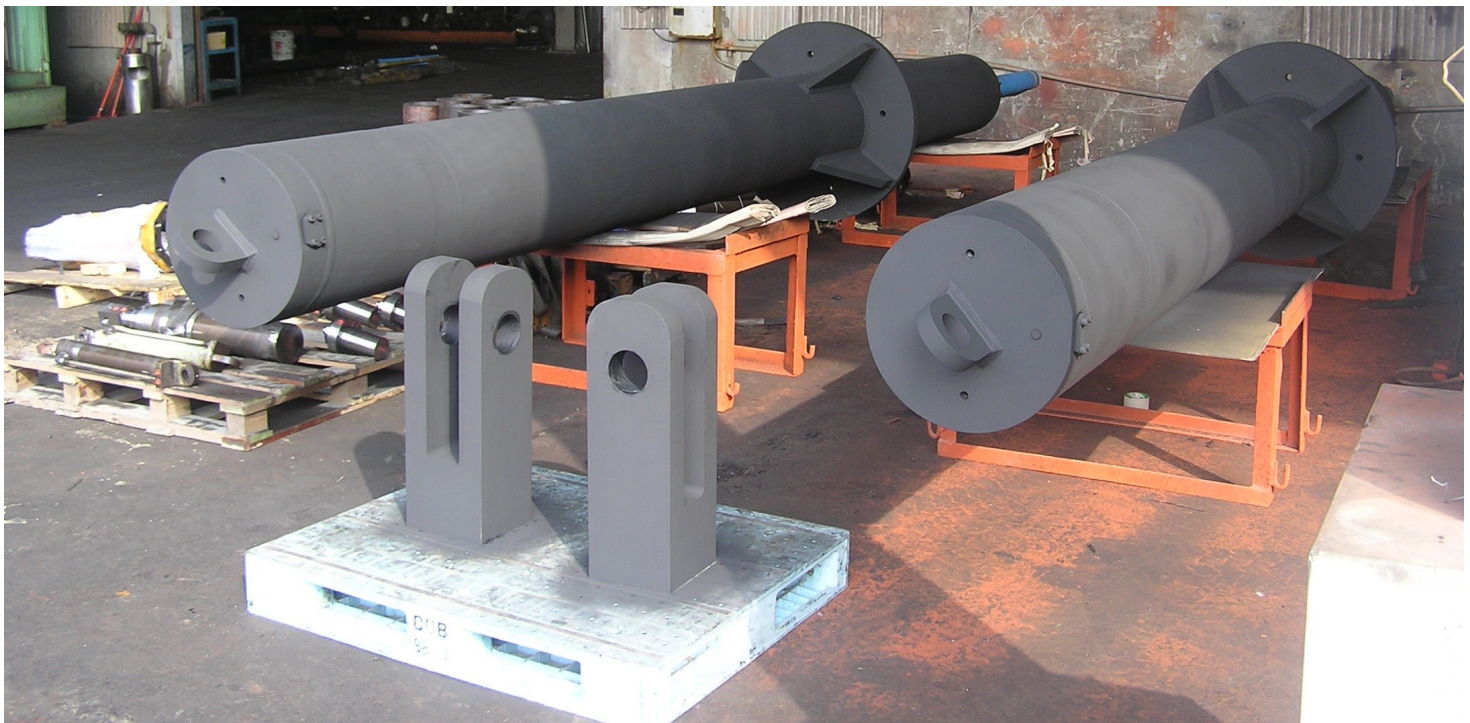
20" Bore Multi-Angle Testing Cylinders

Abilities

- Custom sizes up to and above 20" Bore.
- Designs up to 10,000 psi working pressure.
- Mounting alternates include trunnion mount, clevis, pin eyes or self aligning rod eyes.
- Hydrostatic proof pressure tested to ensure no envelope or bypass leaks. Testing reports and material certification reports available on request.

Industry Examples

- Lifting Machinery
- Railway /Marine Barge Loaders
- Oil and Gas Machinery
- Press Ram Cylinders
- Earth Moving Machinery



15" Bore Rail Barge Ramp Cylinders