

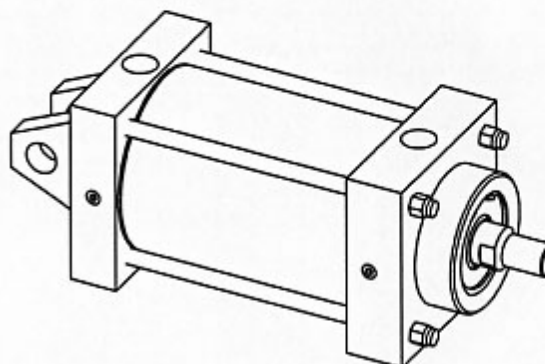
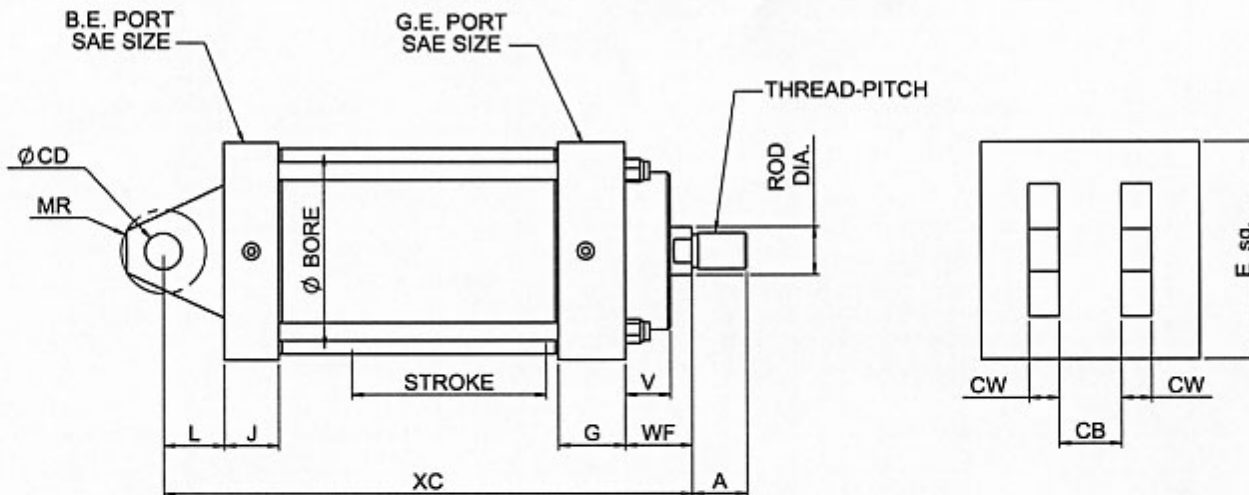
# CYLINDER DIMENSIONS

SPECIFYING AN "X" IN ANY FIELD REQUIRES AN EXPLANATION IN THE SPECIFICATION NOTES FIELD.

Model Code

**L**

**SEE L-SERIES CATALOG BACK COVER FOR EXPLANATION OF CODES**



G.E. PORT SAE SIZE  
B.E. PORT SAE SIZE

CD	CW	
MR	CB	
CUSHIONED?	E	

DRAWN	N.B.	CUSTOMER	WESTCOAST CYLINDERS INC.	
DATE	DECEMBER 09 2003	NEW WESTMINSTER, B.C. - CANADA		
SCALE		TITLE	L-SERIES LC TEMPLATE DRAWING	DRAWING No.
CHKD.	APPR.	REV.		
REF DWG.				

No.	DATE	REVISION	REV. BY
-----	------	----------	---------