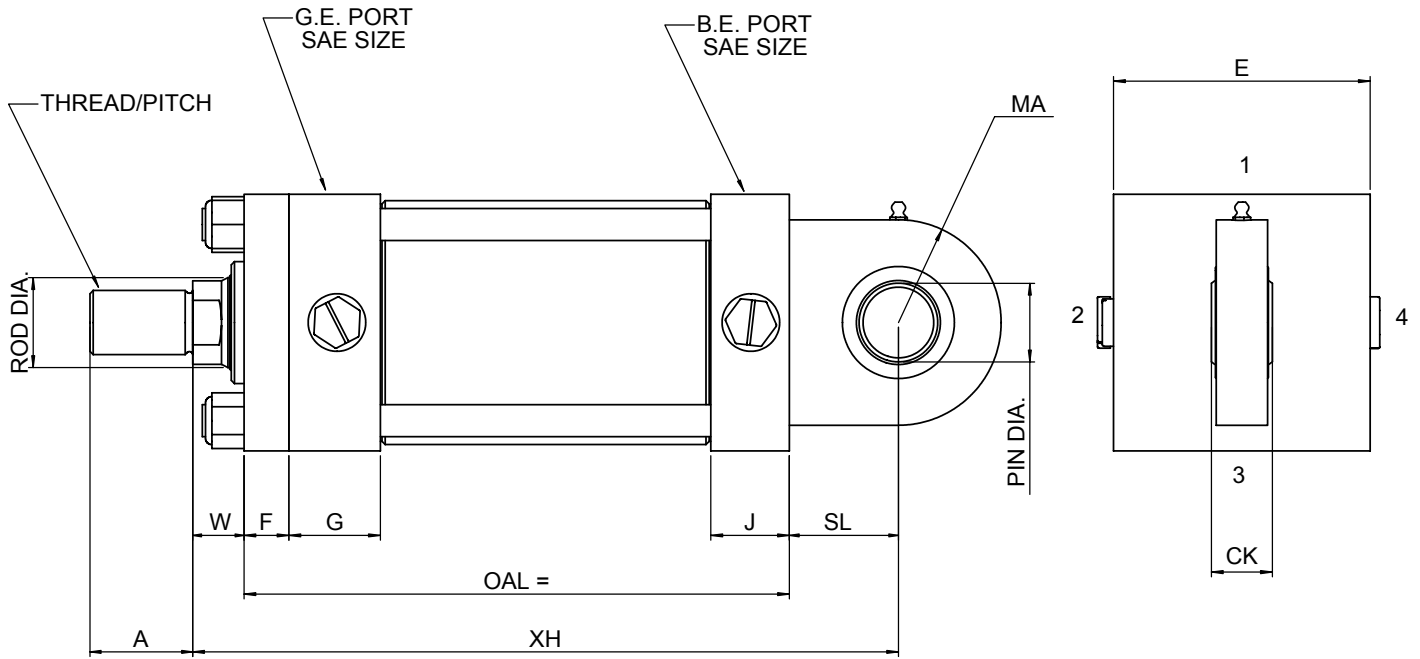


CYLINDER DIMENSIONS (INCHES)	
ROD DIA.	
THREAD	
PITCH	
A	
XH	
MA	
W	
F	
G	
J	
SL	
PIN DIA.	
G.E. PORT SAE SIZE	
B.E. PORT SAE SIZE	
E	
CK	

Model Code	H												
SERIES	BORE	STYLE	STROKE	ROD MATERIAL	ROD SIZE	THREAD	CUSHIONS	BARREL	PORT LOC'N	PORT SIZE	OPTIONS	CUSTOM	

SEE H-SERIES CATALOG BACK COVER FOR EXPLANATION OF CODES



			DRAWN	N.B.	CUSTOMER			
			DATE	JULY 2 2002	WESTCOAST CYLINDERS INC. NEW WESTMINSTER, B.C. - CANADA			
			SCALE					
			CHK'D.	APPR.				
No.	DATE	REVISION	REV. BY	REF. DWG.	TITLE	H-SERIES HW TEMPLATE DRAWING	DRAWING No.	REV.