

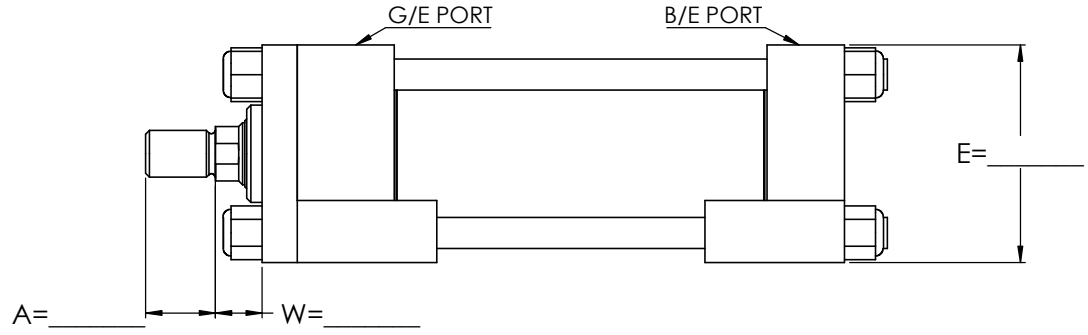
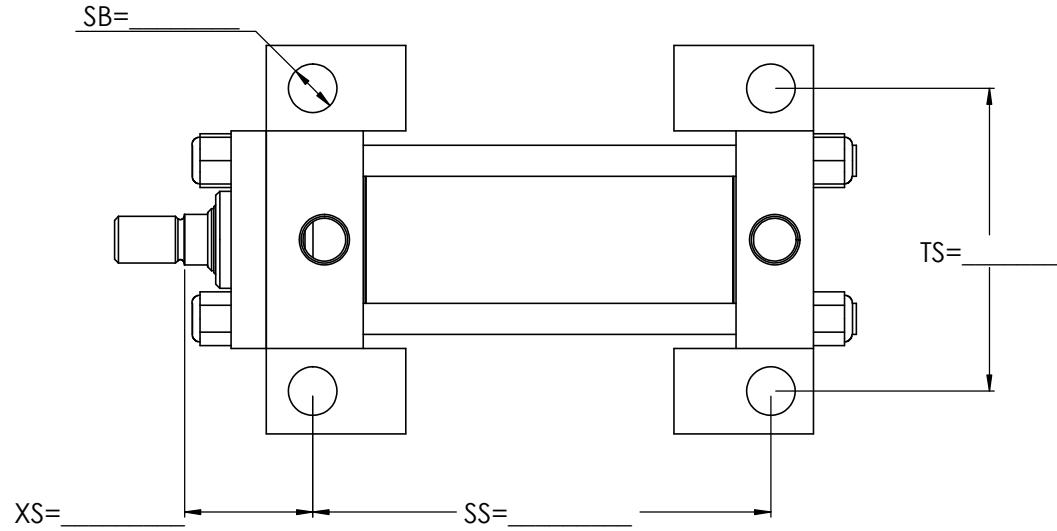


HYDRAULIC FOOT MOUNT MS2(NFPA)

MARK DRAWING AND SEND TO SALES@ROYALCYLINDERS.COM

CYLINDER DIMENSIONS INCHES	
BORE SIZE	
ROD SIZE	
THREAD SIZE	
PITCH	
G/E PORT	
B/E PORT	

NOTES AND CONCERNS:



8 7 6 5 4 3 2 1

D

D

C

C

B

B

A

A

8 7 6 5 4 3 2 1