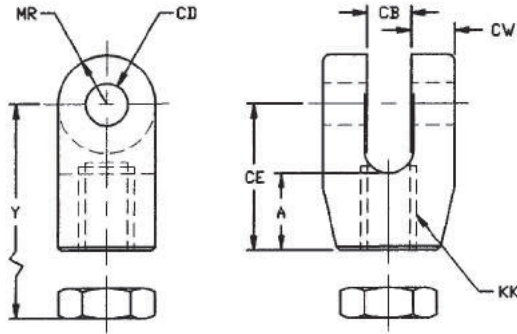
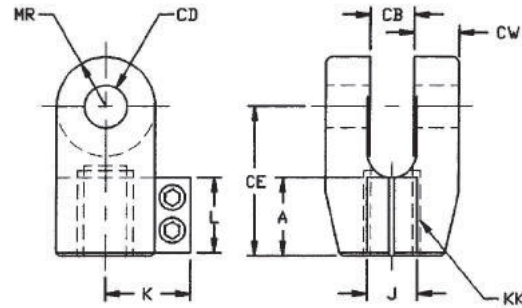




Clevis - Mill Duty *Pneumatic Only



Jam Nut Style



Clamping Style



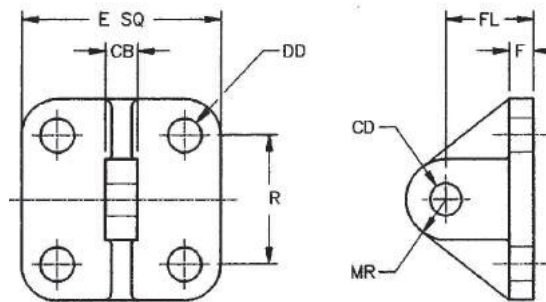
Note -"C" denotes Clamping Style

PART	C2	C3	C4	C6	C8	C8-C	C10	C10-C	C12	C12-C
A	1	1	1 3/8	1 3/4	2	2	2 1/2	2 1/2	3	3
CB	1/2	1/2	3/4	1	1 1/4	1 1/4	1 1/2	1 1/2	2	2
CD	1/2	1/2	3/4	1	1 1/4	1 1/4	1 1/2	1 1/2	1 3/4	1 3/4
CE	2	2	2 5/8	3 1/4	3 3/4	3 3/4	4 3/4	4 3/4	5 7/8	5 7/8
CW	9/16	9/16	13/16	15/16	1 1/4	1 1/4	1 7/16	1 7/16	1 5/8	1 5/8
J	N/A	N/A	N/A	N/A	N/A	1 1/4	N/A	1 1/2	N/A	1 3/4
K	N/A	N/A	N/A	N/A	N/A	2 3/8	N/A	2 3/4	N/A	3 3/16
KK	5/8-18	3/4-16	1-14	1 1/4-12	1 1/2-12	1 1/2-12	2-12	2-12	2 1/2-12	2 1/2-12
L	N/A	N/A	N/A	N/A	N/A	2	N/A	2 1/2	N/A	3
MR	5/8	5/8	7/8	1 1/8	1 3/8	1 3/8	1 3/4	1 3/4	2	2
Y	2 3/8	2 7/16	3 3/16	3 7/8	4 9/16	4 9/16	5 7/8	5 7/8	7 3/8	7 3/8
LOAD CAPACITY (lb)	10000	10000	20100	29500	47500	47500	71000	71000	91000	91000

Pin

PART	P3	P4	P6	P8	P10	P12
CD	1/2	3/4	1	1 1/4	1 1/2	1 3/4

Mounting Bracket - Mill Duty Eye Type *Pneumatic Only



PART	M15	M3	M4	M6	M8	M10	M12
CB	3/8	1/2	3/4	1	1 1/4	1 1/2	2
CD	3/8	1/2	3/4	1	1 1/4	1 1/2	1 3/4
DD	5/16	1/2	1/2	5/8	5/8	7/8	1
E	2 3/4	3 1/8	4 3/8	5 1/2	6 1/2	7 3/4	9
F	3/8	7/16	9/16	5/8	3/4	1 1/4	1 3/8
FL	1 1/8	1 3/8	1 3/4	2	2 1/2	3 1/4	3 3/4
MR	1/2	5/8	7/8	1 1/16	1 1/4	1 5/8	2 1/8
R	1 3/4	2	3 1/4	4 1/4	5	6	6 3/4
LOAD CAPACITY (lb)	5400	9000	18500	29000	42000	67500	121000