

Rod Studs



PART	4RSN7	4RSN8	4RSN12	4RSN16	4RSN20	4RSN24	4RSN30	4RSN40
Thread	7/16-20	1/2-20	3/4-16	1-14	1 1/4-12	1 1/2-20	1 7/8-12	2 1/2-20
Length	1.50	1.50	2.25	3.25	4.00	4.5	6.00	7.00

Options available - Please Request:

Stepped Rod Stud

Stepped Rod Stud with Rod Flat Allows for a shoulder against shoulder connection like a jam nut.

4140 Steel

Strong Material to get the most out of the thread

Stainless Steel

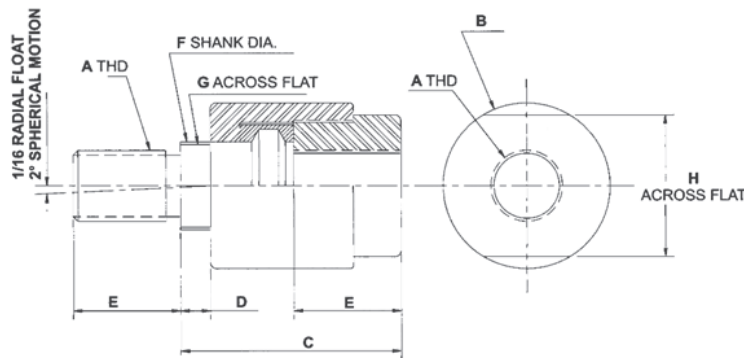
17-4PH Stainless steel for corrosion resistance.

Custom Sizing

Contact us with your special request

Linear Alignment Couplers

- Maximum reliability for trouble free operation, long life and lower operating costs
- Increased cylinder life by reducing wear on piston, rod and gland bushing
- Simple installation



Part #	A	B	C	D	E	F	G	H	MAX PULL AT YIELD**
AC-250F	1/4-28	7/8	1 1/4	1/4	5/8	0.245	3/16	13/16	6000
AC-312F	5/16-24	7/8	1 1/4	1/4	5/8	0.308	1/4	13/16	8300
AC-375C	3/8-16	7/8	1 1/4	1/4	5/8	0.369	5/16	13/16	5000
AC-375F	3/8-24	7/8	1 1/4	1/4	5/8	0.370	5/16	13/16	8300
AC437F	7/16-20	1 1/4	2	1/2	3/4	5/8	9/16	1 1/8	10000
AC-500C	1/2-13	1 1/4	2	1/2	3/4	5/8	9/16	1 1/8	14000
AC-500F	1/2-20	1 1/4	2	1/2	3/4	5/8	9/16	1 1/8	14000
AC-625F	5/8-18	1 1/4	2	1/2	3/4	5/8	1/2	1 1/8	14000
AC-750C	3/4-10	1 3/4	2 5/16	5/16	1 1/8	31/32	7/8	1 1/2	34000
AC-750F	3/4-16	1 3/4	2 5/16	5/16	1 1/8	31/32	7/8	1 1/2	34000
AC-875F	7/8-14	1 3/4	2 5/16	5/16	1 1/8	31/32	7/8	1 1/2	34000
AC-1000F	1-14	2 1/2	2 15/16	1/2	1 5/8	1 3/8	1 1/4	2 1/4	64000
AC-1000C	1-8	2 1/2	2 15/16	1/2	1 5/8	1 3/8	1 1/4	2 1/4	64000
AC-1250F	1-1/4-12	2 1/2	2 15/16	1/2	1 5/8	1 3/8	1 1/4	2 1/4	64000
AC-1375F	1-3/8-12	2 1/2	2 15/16	1/2	1 5/8	1 3/8	1 1/4	2 1/4	64000
AC-1500F	1-1/2-12	3 1/4	4 3/8	13/16	2 1/4	1 3/4	1 1/2	3	134000
AC-1750F	1-3/4-12	3 1/4	4 3/8	13/16	2 1/4	1 3/4	1 1/2	3	134000
AC-1875F	1-7/8-12	3 3/4	5 7/16	11/16	3	2 1/4	1 7/8	3 1/2	240000
AC-2000F	2-12	3 3/4	5 7/16	11/16	3	2 1/4	1 7/8	3 1/4	240000

**4:1 safety factor included