

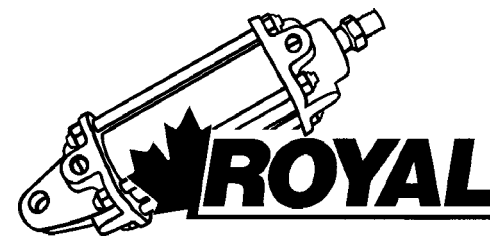
R-Series Generic Parts List																	
	Bore	2		3		4		5		6		8		10		12	
		Rod Size	3/4	1	1	1 1/4	1 1/4	1 1/2	1 1/4	1 1/2	1 1/2	2	2	2 1/2	2 1/2	3	3
Description	QTY																
1 Piston	1	1R202		1M203W		1M204W		1M205W		1A206W		1A208W		1A2010W		1A2012W	
3 Cushion Sleeve	2	3R620		3R630		3R640		3R640		3R660		3R680		3R6100		3R6120	
4 Piston Rod - Male	1	4R2007-	4R2010-	4R3010-	4R3012-	4R4012-	4R4015-	4R4012-	4R4015-	4R6015-	4R6020-	4R8020-	4R8025-	4R1025-	4R1030-	4R1230-	4R1235-
Piston Rod - Female	1	26R2007-	26R2010-	26R3010-	26R3012-	26R4012-	26R4015-	26R4012-	26R4015-	26R6015-	26R6020-	26R8020-	26R8025-	26R1025-	26R1030-	26R1230-	26R1235-
Piston Rod-Common	1	44R2007-	44R2010-	44R3010-	44R3012-	44R4012-	44R4015-	44R4012-	44R4015-	44R6015-	44R6020-	44R8020-	44R8025-	44R1025-	44R1030-	44R1230-	44R1235-
5 Barrel (Steel Nitro-Tech)	1	5SB020-		5SB030-		5SB040-		5SB050-		5SB060-		5SB080-		5SB100-		5SB120-	
Barrel (Brass)	1	5A020-		5A030-		5A040-		5A050-		5A060-		N/A		N/A		N/A	
6 Gland Bushing	1	6R207	6A210H-2	6R310	6A412H-2	6R412	6A415H-2	6R412	6A415H-2	6R615	6A620H-2	6R820	6A825H-2	6R1025	6A030H-2	6R1230	6A235H-2
Gland Bushing Wearstrip	1	6R207W	6A210HW	6R310W	6A412HW	6R412W	6A415HW	6R412W	6A415HW	6R615W	6A620HW	6R820W	6A825HW	6R1025W	6A030HW	6R1230W	6A235HW
7 Needle Valve	2	7A907		7A907		7A907		7A912		7A912		7A912		7A916		7A916	
Tie Rods (EA) (See Note 1)	4 or 8	8A206-		8A306-		8A408-		8A506-		8A608-		8A808-		8A010-		8A212-	
9 Piston Seal (Internal)	1	9A112		9A115		9A212		9A212		9A214		9A216		9A222		9A223	
10 Piston Cup (See Note 2)	1 or 2	10A755-2		10A930H		10A940H		10A950H		10A960H		10A980H		10A9100H		10A9120H	
11 Cushion Seal	2	11J128		11J138		11J150		11J150		11J160		11J180		11J1100		11J1100	
12 Gland Bushing Seal	1	9A216		9A222		9A225		9A225		9A230		9A236		9A240		9A244	
13 Rod Seal	1	13A07H	13A10H	13A10H	13A12H	13A12H	13A15H	13A12H	13A15H	13A15H	13A20H	13A20H	13A25H	13A25H	13H30H	13H30H	13H35H
Rod Seal (Vee Packing)	1	N/A	N/A	N/A	13A12V	N/A	13A15V	N/A	13A15V	N/A	13A20V	N/A	13A25V	N/A	13H30V	N/A	13H35V
14 Rod Wiper	1	N/A	N/A	14H10	14H12	14H12	14H15	14H12	14H15	14H15	14H20	14H20	14H25	14H25	14H30	14H30	14H35
15 Gland Retainer	1	15A137		15A175		15A212		15A212		15A275		15A350		15A400		15A450	
16 Needle Valve Seal	2	9A011		9A011		9A011		9A113		9A113		9A113		9A210		9A210	
17 Lock Nut Tie-Rod	4,8,16	19A006		19A006		19A008		19A006		19A008		19A008		19A010		19A012	
19 Lock Nut Piston	1	19A007		19A010		19A014		19A014		19A016		19A016		19A022		19A024	
20 Jam Nut (STD Thread)	1	20R010	20R012	20R012	20R016	20R016	20R020	20R016	20R020	20R020	20R024	20R024	20R032	20R032	20R040	20R040	20R040
21 Barrel Seal	2	9A033		9A232		9A240		9A248		9A256		9A265		9A273		9A452	
22 Head Blind End (See Note 3)	1	R_2B		R_3B		R_4B		R_5B		R_6B		R_8B		R_10B		R_12B	
23 Head Gland End (See Note 3)	1	R_2G		R_3G		R_4G		R_5G		R_6G		R_8G		R_10G		R_12G	
24 Head Common	1	RCC2		RCC3		RCC4		RCC5		RCC6		RCC8		RCC10		RCC12	
25 Trunnion	1	T2		T3		T4		T5		RT6		T8		T10		T12	
32 Piston Stop	1	32R20		32R30		32R40		32R50		32R60		32R80		32R10		32R10	
40 Piston Wear Strip (See Note 2)	1 or 2	40H2025		40H3037		40H4037		40H5037		40H6037		40H805		40H101		40H121	
41 Seal Kit	--	KR2007	KR2010	KR3010	KR3012	KR4012	KR4015	KR5012	KR5015	KR6015	KR6020	KR8020	KR8025	KR1025	KR1030	KR1230	KR1235
42 Universal Seal Kit R-A SERIES	--	KR2007U	KR2010U	KR3010U	KR3012U	KR4012U	KR4015U	KR5012U	KR5015U	KR6015U	KR6020U	KR8020U	KR8025U	KR1025U	KR1030U	KR1230U	KR1235U
43 Universal Seal Kit M-R-A SERIE	--	KR2007MU	KR2010MU	N/A	KR3012MU	N/A	KR4015MU	N/A	KR5015MU	N/A	KR6020MU	N/A	KR8025MU	N/A	KR1030MU	N/A	KR1235MU

Parts List Notes:

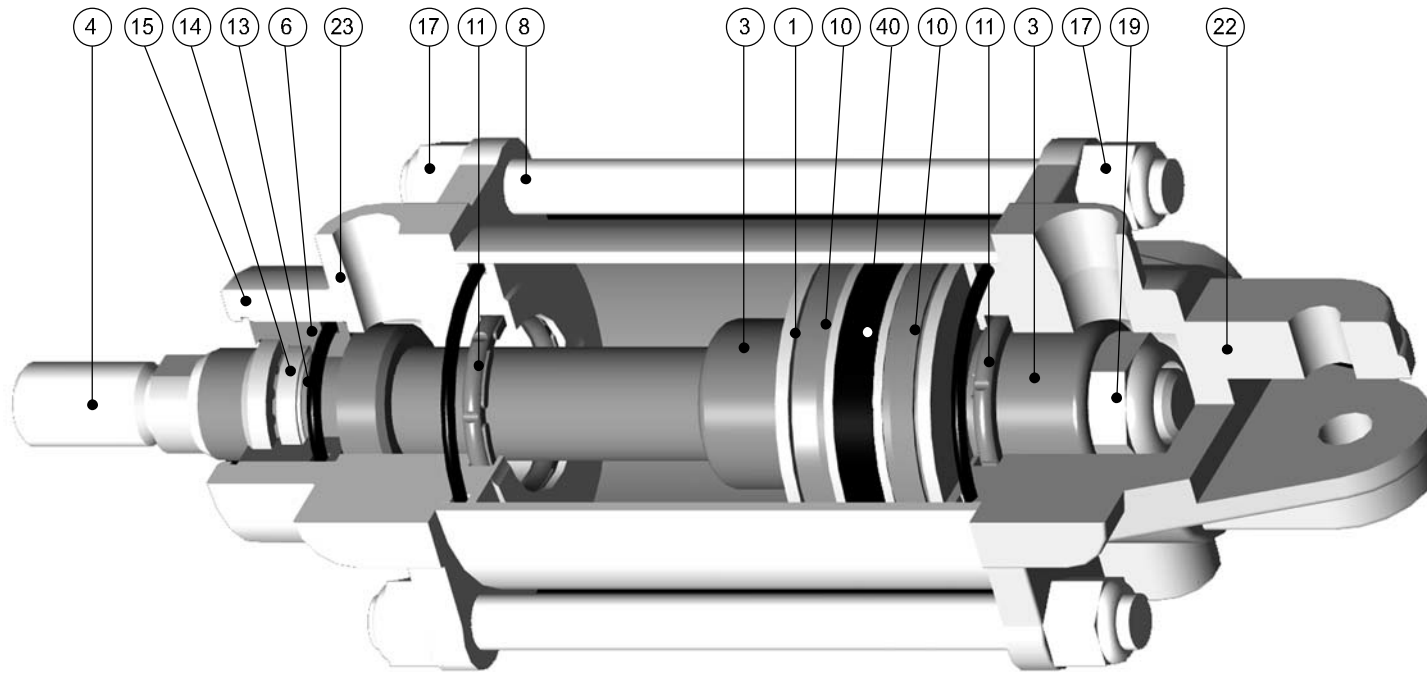
Note 1
2" bore cylinders use (1) Double Acting Seal and (2) Wearstrips.
Quantities stated are for all bores except 2".
Note 2
Universal seal kit contains seals for A-Series and R-Series cylinders (part 42) and A-Series, R-Series and M-Series cylinders (part 43).

Note 3
Head codes are constructed using:
1) The series letter "R"
2) The appropriate model letter from Table 1
3) The cylinder bore 3" bore = "3"
4) The head location:
"B" = Blind end head,
"G" = Gland End
Example
3" bore, Blind end head, clevis mount = RC3B

Cyl. Model Letter	Gland Head	Blind Head
F	F	F
C	C	C
D	C	-
R	R	R
B	C	B
TB	C	T
TR	T	R
T	C	R



R-Series Parts Drawing



TieRod Part Numbers:

Note: For models not listed use Model "C"

Bore\Style	C	ROD #1 T	ROD #2 T	ROD #1 HT	ROD #2 HT	B	R	CH
2	8AC206-Stroke	8ATA206-Stroke-XI=___	8ATB206-Stroke-XI=___	8ATA206-Stroke-XI=___	8ATB206-Stroke-XI=___	8AR206-Stroke	8AR206-Stroke	8ACH206-Stroke1+Stroke2
3	8AC306-Stroke	8ATA306-Stroke-XI=___	8ATB306-Stroke-XI=___	8ATA306-Stroke-XI=___	8ATB306-Stroke-XI=___	8AR306-Stroke	8AR306-Stroke	8ACH306-Stroke1+Stroke2
4	8AC408-Stroke	8ATA408-Stroke-XI=___	8ATB408-Stroke-XI=___	8ATA408-Stroke-XI=___	8ATB408-Stroke-XI=___	8AR408-Stroke	8AR408-Stroke	8ACH408-Stroke1+Stroke2
5	8AC506-Stroke	8ATA506-Stroke-XI=___	8ATB506-Stroke-XI=___	8ATA506-Stroke-XI=___	8ATB506-Stroke-XI=___	8AR506-Stroke	8AR506-Stroke	8ACH506-Stroke1+Stroke2
6	8AC608-Stroke	8ATA608-Stroke-XI=___	8ATB608-Stroke-XI=___	8ATA608-Stroke-XI=___	8ATB608-Stroke-XI=___	8AR608-Stroke	8AR608-Stroke	8ACH608-Stroke1+Stroke2
8	8AC808-Stroke	8ATA808-Stroke-XI=___	8ATB808-Stroke-XI=___	8ATA808-Stroke-XI=___	8ATB808-Stroke-XI=___	8AR808-Stroke	8AR808-Stroke	8ACH808-Stroke1+Stroke2
10	8AC1010-Stroke	8ATA1010-Stroke-XI=___	8ATB1010-Stroke-XI=___	8ATA1010-Stroke-XI=___	8ATB1010-Stroke-XI=___	8AR1010-Stroke	8AR1010-Stroke	8ACH1010-Stroke1+Stroke2
12	8AC1212-Stroke	8ATA1212-Stroke-XI=___	8ATB1212-Stroke-XI=___	8ATA1212-Stroke-XI=___	8ATB1212-Stroke-XI=___	8AR1212-Stroke	8AR1212-Stroke	8ACH1212-Stroke1+Stroke2